

WORKSTATIONS

PEDSYS SERIES, LEFT & RIGHT SIDE STORAGE

Item Numbers 7300-7455



Assembly Tips

- Review entire instruction manual before proceeding.
- Production Basics name plate indicates front of frame.
- Don't be a slave to gravity—recruit a co-worker to help you install and correctly position components and accessories.
- References to 'Left' and 'Right' are oriented as if you were facing the front of the workstation.
- Before assembly, choose the side where each storage package will be placed.

PARTS AND HARDWARE

QUANTITY

PedSys Support Leg	2
Leg Adjusters	2
Short Support Rail (Front)	1
Long Support Rail (Back)	1
Chrome Mounting Plate	4
Leveling Feet	10
Basic Bolts	18
3/8 Kep nuts	6
Wood screws	15
Storage Package	2
7/32 Basic Allen Wrench (included)	1

Other Items Needed (not included)

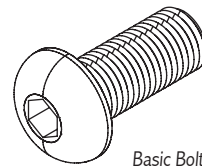
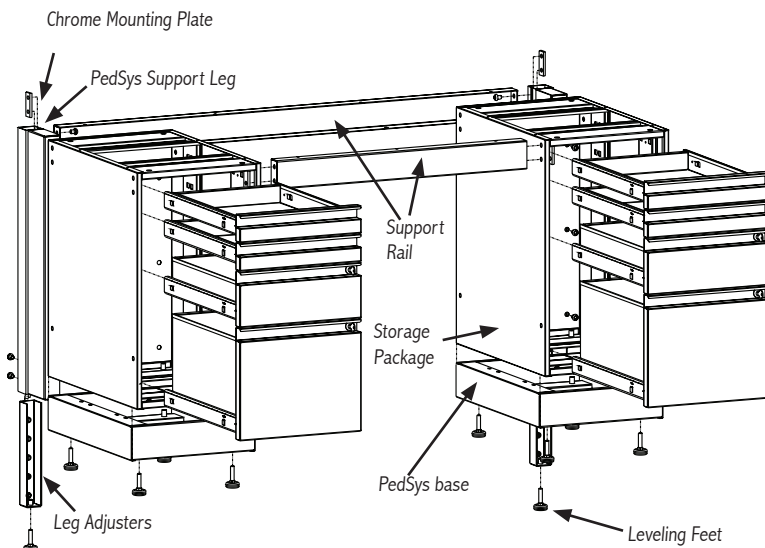
Worksurface (sold separately)

Phillips head screwdriver or drill

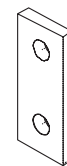
Rubber Mallet

Level

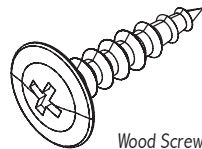
Tape Measure



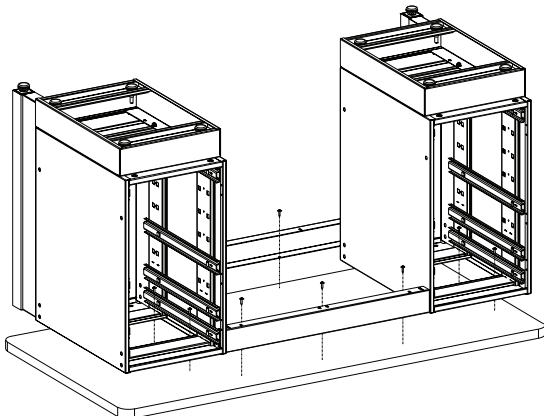
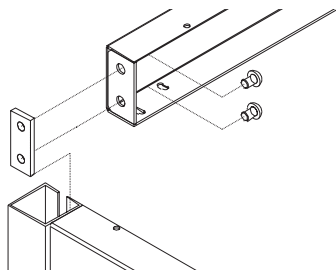
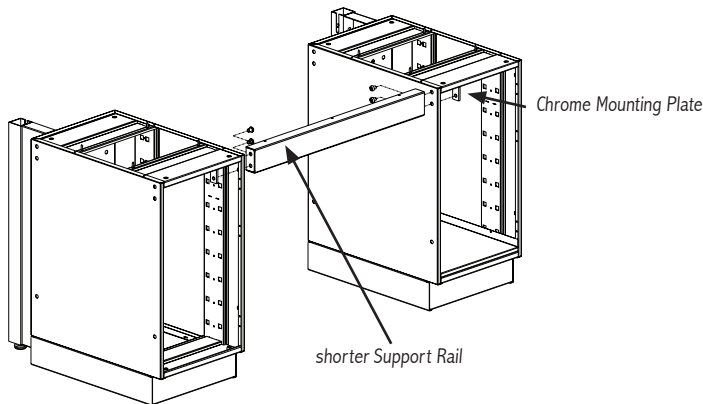
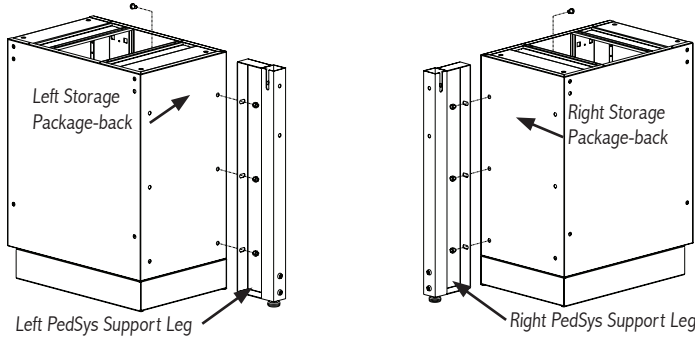
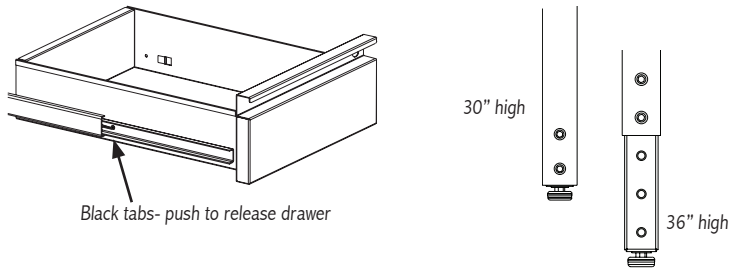
Basic Bolt



Chrome Mounting Plate



Wood Screw



1. Remove drawers and/or pull-out shelves from the Storage Package by pushing up or down on the black tabs (depending on side) on both sides of the drawer slide and pull forward. Set aside.
2. Screw leveling feet into the bottom of the Leg Adjusters.
3. Slide Leg Adjusters into the bottom of the PedSys Support Legs and secure position by inserting two (2) Basic Bolts. For 30" high models, Basic Bolts will secure Leg Adjusters in the lowest position. For 36" high models, Basic Bolts will secure Leg Adjusters in the highest position, using top 2 holes.
4. Punch out bolt holes on the back of the storage package using a mallet and screwdriver. Insert three (3) Basic Bolts from the inside of the Storage Package through the PedSys Support Leg and secure with keep nut. Repeat for opposite storage package.
5. Locate Support Rails. Loosely attach the Chrome Mounting Plates to the outside of the longer Support Rail with two (2) Basic Bolts using Allen wrench provided. Repeat for other side.
6. Punch out bolt holes on the side corners of the Storage Package using a mallet and screwdriver. Insert Basic Bolts from the inside of the short Support Rail through the Storage Package and secure with a Chrome Mounting Plate on the inside corner of Storage Package. Channel faces inward and oval slots face downward on Support Rail. Repeat for other side. Tighten connections.
7. Set long Support Rail between PedSys Support Legs from Step 3, creating the back width of your work bench. Channel faces inward and oval slots downward. Tighten connections.
8. Make final adjustments and tighten all hardware, ensuring PedSys Support Frame and Storage Package components are square.
9. Invert the assembled PedSys work bench onto the underside of the worksurface. Position the worksurface flush with the back of the unit with equal overhang, left and right.
10. Attach the worksurface to the PedSys assembly by drilling wood screws through the pre-drilled holes in the Support Rails and Storage Packages, then into the underside of the worksurface. For Phenolic Resin surfaces, see Phenolic Resin assembly instructions.
11. Turn complete assembly right side up. Replace drawers and pull-out shelves in Storage Package.