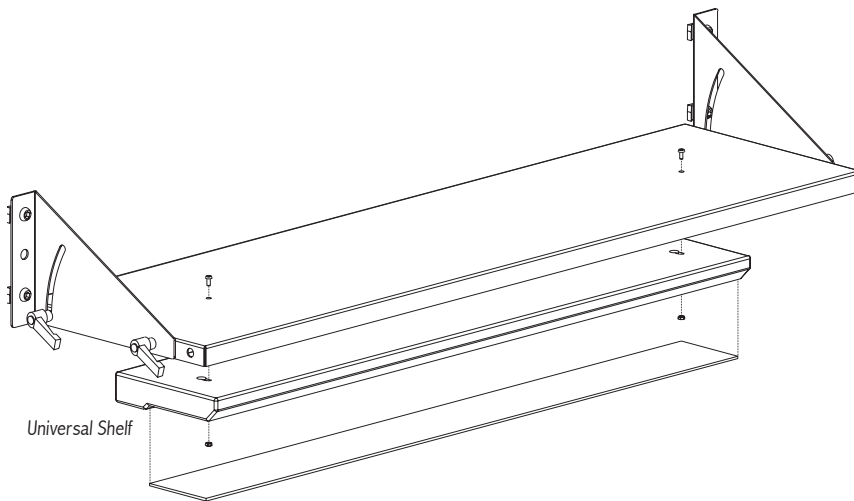
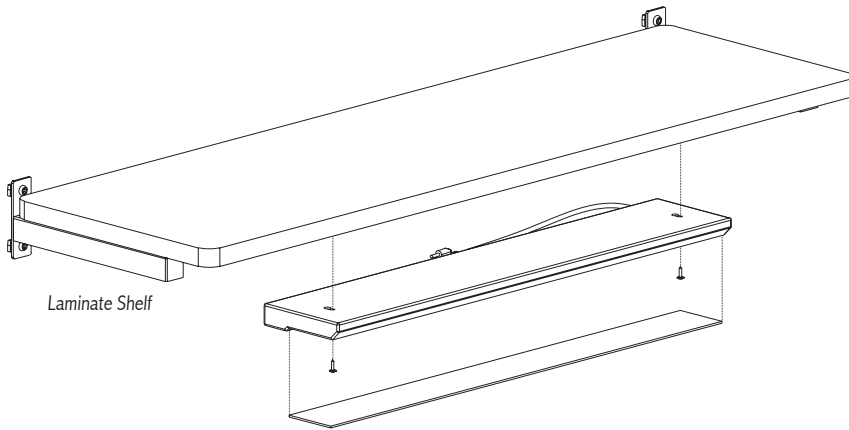


UNDER-SHELF LIGHT: LAMINATE & UNIVERSAL SHELVES

Item Numbers 8523, 8524, 8525



ACCESSORIES

PARTS AND HARDWARE	QUANTITY
Light Unit	1
Wood Screws	2
Bolts	2
Nuts	2
T8 Light Bulbs	1
Other Items Needed (not included)	
Phillips head screwdriver or drill	

1. Remove plastic diffuser and light bulb.
2. Position light unit with cord facing the frame. Attach light unit to laminate shelf using wood screws. Pre-drilled holes are located behind bulb.
 - a. If attaching to Universal Shelf, insert bolt through shelf and into light. Secure with nut.
 - b. If attaching to Storage Cabinet, insert wood screws through inside of light into Cabinet with drill.
3. Replace light bulbs and diffuser.