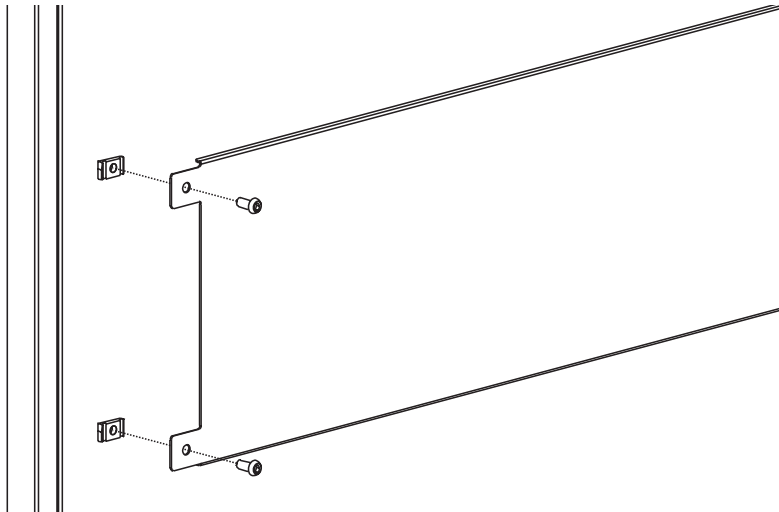


GLOBAL INSTALLATION: These instructions apply to the following accessories:

Peg Board	Item Numbers 8721-8724
Bin Panel Enclosure	Item Numbers 8312-8315
Tack Board	Item Numbers 8729, 8730, 8733, 8735
Modesty Panel	Item Numbers 8705, 8709, 8712, 8715
Magnetic Dry Erase Board	Item Numbers 8716-8719
Multi- Panel Enclosures	Item Numbers 8776-8797



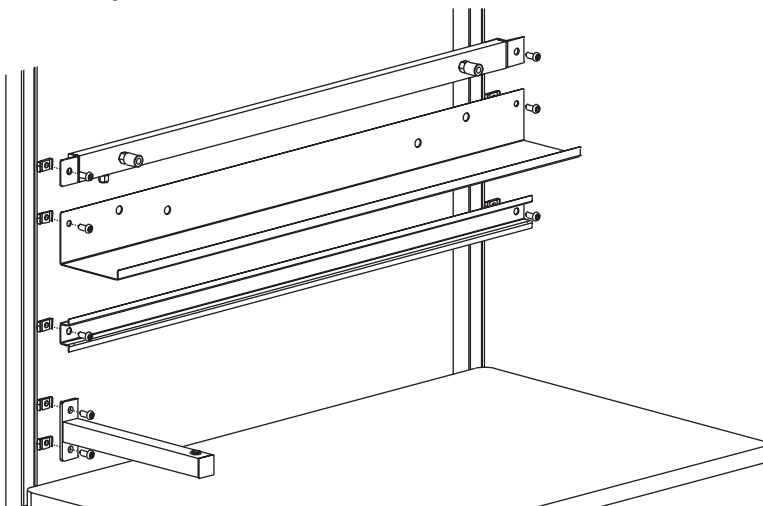
ACCESSORIES

PARTS AND HARDWARE	QUANTITY
Basic Bolts	4
Basic Nuts	4
7/32 Allen Wrench	1
Other Items Needed (not included)	
Tape Measure	
Level	

1. Insert a Basic Bolt into the holes on the product's mounting plate. Secure with a Basic Bolt by turning one revolution.
2. Insert the nuts into the Frame or Uprights and tighten bolts.
3. Repeat for other side

GLOBAL INSTALLATION: These instructions apply to the following accessories:

Tool Shelf and Bin Rail	Item Numbers 8492-8494
Universal Mount	Item Numbers 8640, 8643
Cable Trough	Item Numbers 8620-8623
Binder Holder	Item Numbers 8352
Document Holder	Item Numbers 8353
Peg Board Panel	Item Numbers 8626, 8649
Parts Bin Panel	Item Numbers 8627, 8639
Tray Arm	Item Numbers 8630, 8631
Flat Screen Monitor Arm	Item Numbers 8632
Air Rail	Item Numbers 8330, 8331, 8333, 8336
Bin Rail	Item Numbers 8300, 8301, 8303, 8306
Universal Mounting Bar	Item Numbers 8675-8678

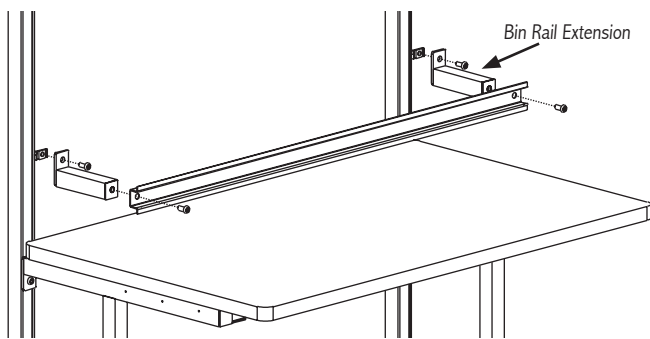


PARTS AND HARDWARE	QUANTITY	
	BASIC BOLTS	BASIC NUTS
Tool Shelf and Bin Rail	2	2
Universal Mount	2	2
Cable Trough	2	2
Binder Holder	2	2
Parts Bin Panel	2	2
Air Rail	2	2
Bin Rail	2	2
7/32 Allen Wrench	1	
Other Items Needed (not included)		
Tape Measure		
Level		

1. Insert a Basic Bolt into the holes on the product's mounting plate. Secure with a Basic Nut by turning one revolution.
2. Insert the nuts into the Frame or Uprights and tighten bolts.
3. Repeat for other side.

BIN RAIL EXTENSION

Item Numbers 8308, 8310

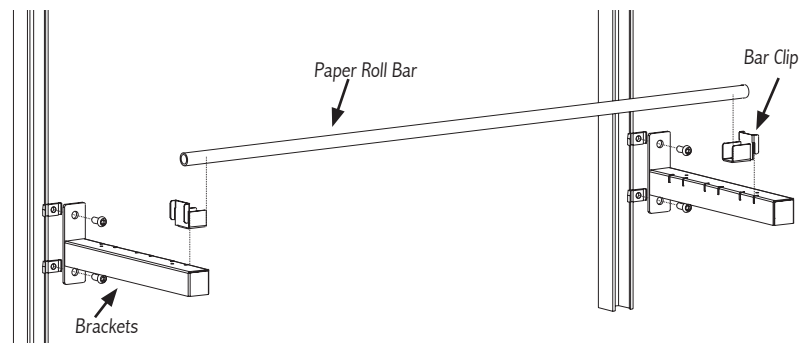


PARTS AND HARDWARE	QUANTITY
Basic Bolts	2
Basic Nuts	2
Bin Rail Extension	2
7/32 Allen Wrench	1

1. Attach extension to back of Parts Bin Rail by inserting a Basic Bolt through hole on the Bin Rail and into Extension. Repeat for other side. Tighten bolts.
2. Insert Basic Bolt through mounting plate on Extension, secure with a Basic Nut, turning one revolution.
3. Insert the nuts into the Frame or Uprights and tighten bolts.

ENCLOSURES: PAPER & LABEL ROLL HOLDER

Item Numbers 8740-8743

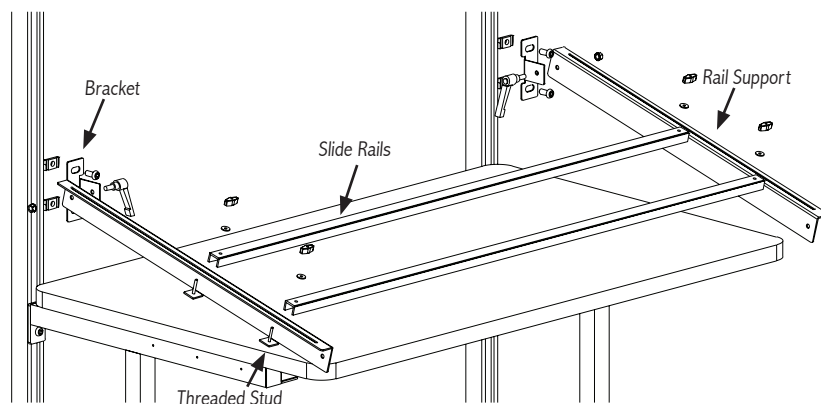


PARTS AND HARDWARE	QUANTITY
Paper Roll Bar	1
Brackets	2
Bar Clip	2
Basic Bolts	4
Basic Nuts	4
7/32 Allen Wrench	1

1. Insert Basic Bolt into holes on bracket. Secure with a Basic Nut turning one revolution.
2. Insert Nuts into Frame or Upright and tighten bolts. Notches on brackets face inward, as shown. Repeat for other bracket. Measure or use a level to ensure brackets are at the same height.
3. Insert the bar clip into one of 3 positions on the bracket. Repeat for other bar clip in the same position.
4. Add labels, foam or paper rolls to rod and nest rod into each bar clip.

ENCLOSURES: SLIDE LINE

Item Numbers 8770- 8773



PARTS AND HARDWARE	QUANTITY
Slide Rails	2
Brackets	2
Rail Support	2
Basic Bolts	4
Basic Nuts	4
Handles	2
Kep Nut	2
Threaded Stud and Knob	4
7/32 Allen Wrench	1

1. Insert Basic Bolt into holes on bracket. Secure with a Basic Nut turning one revolution.
2. Position brackets on the left and right with bracket flange on the inside, as shown. Insert Nuts through bracket and into Frame or Upright as shown in diagram and tighten bolts. Repeat for other bracket. Measure or use a level to ensure brackets are at the same height.
3. Position rail supports as shown. Line up holes on rail supports with holes on bracket flange. Insert a handle into the hole from the inside (recommended) and secure with a keps nut.
4. To install slide rails, position rails to accommodate your circuit boards and insert a threaded stud through the bottom of the rail support and slide rail. Secure with silver knob.